

# Parts List

Ref	Var	IPN	Description	Ref	Var	IPN	Description	Ref	Var	IPN	Description
		220-01723-02	PCB TMA B1 Brd VHF Bx4	C393		018-16100-00	Cap 0603 100n 16v x7r + - 10%	C507		018-15100-00	Cap 0603 10n 50v X7r ±10%
C100		015-24100-05	Cap Cer 0805 1N 100V 5% COG	C394		018-15470-00	Cap 0603 47n 16v X7r±10%	C508		018-13150-00	Cap 0603 150p 50v NPO ±5%
C101		015-24100-05	Cap Cer 0805 1N 100V 5% COG	C400		018-12100-10	Cap 0603 10p 50v NPO±0.1	C509		018-15100-00	Cap 0603 10n 50v X7r ±10%
C102		015-24100-05	Cap Cer 0805 1N 100V 5% COG	C401		018-12180-10	Cap 0603 18p 50v NPO ±1%	C510		018-15100-00	Cap 0603 10n 50v X7r ±10%
C103		015-26100-08	Cap Cer 0805 100n 10% X7r 50v	C403		018-13150-00	Cap 0603 150p 50v NPO ±5%	C511		018-12390-10	Cap 0603 39p 50v NPO ±1%
C201		018-15470-00	Cap 0603 47n 16v X7r±10%	C404		018-15100-00	Cap 0603 10n 50v X7r ±10%	C512		018-12120-10	Cap 0603 12p 50v NPO ±1%
C202		015-07470-20	CAP Cer 1206 4u7 10% 25V X7R	C405		018-12100-10	Cap 0603 10p 50v NPO±0.1	C513		018-13150-00	Cap 0603 150p 50v NPO ±5%
C203		018-16100-00	Cap 0603 100n 16v x7r + - 10%	C408		018-13120-10	Cap 0603 120p 50v NPO±1%	C514		018-12470-10	Cap 0603 47p 50v NPO ±1%
C204		018-16100-00	Cap 0603 100n 16v x7r + - 10%	C409		018-15100-00	Cap 0603 10n 50v X7r ±10%	C516		018-16100-00	Cap 0603 100n 16v x7r + - 10%
C206		018-13680-00	Cap 0603 680p 50v X7r±10%	C410		018-16100-00	Cap 0603 100n 16v x7r + - 10%	C517		018-16100-00	Cap 0603 100n 16v x7r + - 10%
C207		015-07220-08	Cap Cer 1206 2u2 16v X7r	C411		018-15100-00	Cap 0603 10n 50v X7r ±10%	C518		018-12100-10	Cap 0603 10p 50v NPO±0.1
C208		018-13680-00	Cap 0603 680p 50v X7r±10%	C412		018-16100-00	Cap 0603 100n 16v x7r + - 10%	C519		018-13150-00	Cap 0603 150p 50v NPO ±5%
C209		018-16100-00	Cap 0603 100n 16v x7r + - 10%	C413		018-14100-00	Cap 0603 1n 50v X7r ±10%	C520		018-52220-02	Cap 0603 22p 50v Ntc ±2% T2h
C210		018-12680-10	Cap 0603 68p 50v NPO ±1%	C414		018-12270-10	Cap 0603 27p 50v NPO ±1%	C522		018-12270-10	Cap 0603 27p 50v NPO ±1%
C211		018-16100-00	Cap 0603 100n 16v x7r + - 10%	C415		018-15150-00	Cap 0603 15n 50v X7r ±10%	C523		018-12270-10	Cap 0603 27p 50v NPO ±1%
C212		014-07470-05	Cap Tant SMD 4u7 16v 10% A	C416		018-12820-10	Cap 0603 82p 50v NPO ±1%	C524		018-12150-10	Cap 0603 15p 50v NPO ±1%
C213		018-16100-00	Cap 0603 100n 16v x7r + - 10%	C417		018-16100-00	Cap 0603 100n 16v x7r + - 10%	C525		018-13150-00	Cap 0603 150p 50v NPO ±5%
C214		018-16100-00	Cap 0603 100n 16v x7r + - 10%	C418		018-16100-00	Cap 0603 100n 16v x7r + - 10%	C526		018-15100-00	Cap 0603 10n 50v X7r ±10%
C215		018-16100-00	Cap 0603 100n 16v x7r + - 10%	C419		018-16100-00	Cap 0603 100n 16v x7r + - 10%	C527		018-15330-00	Cap 0603 33n 50v X7r10%
C216		018-16100-00	Cap 0603 100n 16v x7r + - 10%	C420		018-11820-10	Cap 0603 8p2 50v NPO±0.1p	C528		018-16100-00	Cap 0603 100n 16v x7r + - 10%
C217		018-16100-00	Cap 0603 100n 16v x7r + - 10%	C421		018-15100-00	Cap 0603 10n 50v X7r ±10%	C529		018-16100-00	Cap 0603 100n 16v x7r + - 10%
C218		018-14100-00	Cap 0603 1n 50v X7r ±10%	C422		018-12150-10	Cap 0603 15p 50v NPO ±1%	C530		018-15100-00	Cap 0603 10n 50v X7r ±10%
C219		018-16100-00	Cap 0603 100n 16v x7r + - 10%	C423		018-15100-00	Cap 0603 10n 50v X7r ±10%	C531		015-07470-20	CAP Cer 1206 4u7 10% 25V X7R
C220		018-16100-00	Cap 0603 100n 16v x7r + - 10%	C424		018-11820-10	Cap 0603 8p2 50v NPO±0.1p	C532		018-12330-10	Cap 0603 33p 50v NPO ±1%
C221		018-16100-00	Cap 0603 100n 16v x7r + - 10%	C425		018-12180-10	Cap 0603 18p 50v NPO ±1%	C533		018-16100-00	Cap 0603 100n 16v x7r + - 10%
C222		018-13100-10	Cap 0603 100p 50v NPO±1%	C426		018-16100-00	Cap 0603 100n 16v x7r + - 10%	C534		018-13330-00	Cap 0603 330p 50v X7r±10%
C223		018-16100-00	Cap 0603 100n 16v x7r + - 10%	C427		018-13180-00	Cap 0603 180p 50v NPO±5%	C535		018-16100-00	Cap 0603 100n 16v x7r + - 10%
C224		015-27100-10	Cap Cer 0805 1m+80-20% Y5v 16v	C428		018-13220-00	Cap 0603 220p 50v NPO±5%	C536		018-15100-00	Cap 0603 10n 50v X7r ±10%
C225		018-16100-00	Cap 0603 100n 16v x7r + - 10%	C429		018-13150-00	Cap 0603 150p 50v NPO ±5%	C537		018-14100-00	Cap 0603 1n 50v X7r ±10%
C226		018-16100-00	Cap 0603 100n 16v x7r + - 10%	C430		018-16100-00	Cap 0603 100n 16v x7r + - 10%	C538		018-16100-00	Cap 0603 100n 16v x7r + - 10%
C227		018-16100-00	Cap 0603 100n 16v x7r + - 10%	C431		018-16100-00	Cap 0603 100n 16v x7r + - 10%	C539		018-16100-00	Cap 0603 100n 16v x7r + - 10%
C228		015-26100-08	Cap Cer 0805 100n 10% X7r 50v	C433		018-11390-10	Cap 0603 3p9 50v NPO±0.1p	C540		018-16100-00	Cap 0603 100n 16v x7r + - 10%
C231		015-27100-08	Cap Cer 0805 X7R 1uF 16V 10%	C434		018-15100-00	Cap 0603 10n 50v X7r ±10%	C541		018-15100-00	Cap 0603 10n 50v X7r ±10%
C232		015-27100-08	Cap Cer 0805 X7R 1uF 16V 10%	C435		018-13150-00	Cap 0603 150p 50v NPO ±5%	C542		018-16100-00	Cap 0603 100n 16v x7r + - 10%
C305		018-16100-00	Cap 0603 100n 16v x7r + - 10%	C436		018-12120-10	Cap 0603 12p 50v NPO ±1%	C543		018-16100-00	Cap 0603 100n 16v x7r + - 10%
C307		018-14100-00	Cap 0603 1n 50v X7r ±10%	C438		018-11820-10	Cap 0603 8p2 50v NPO±0.1p	C544		015-27100-08	Cap Cer 0805 X7R 1uF 16V 10%
C308		018-13470-00	Cap 0603 470p 50v X7r±10%	C439		018-12150-10	Cap 0603 15p 50v NPO ±1%	C545		018-12180-10	Cap 0603 18p 50v NPO ±1%
C310		018-14100-00	Cap 0603 1n 50v X7r ±10%	C440		018-15100-00	Cap 0603 10n 50v X7r ±10%	C546		018-16100-00	Cap 0603 100n 16v x7r + - 10%
C311		018-13270-00	Cap 0603 270p 50v NPO±5%	C441		018-11820-10	Cap 0603 8p2 50v NPO±0.1p	C548		013-16470-65	Cap SMD PPS 470n 50v 5% 4036
C315		018-13150-00	Cap 0603 150p 50v NPO ±5%	C442		018-12270-10	Cap 0603 27p 50v NPO ±1%	C549		018-12150-10	Cap 0603 15p 50v NPO ±1%
C318		015-24100-08	Cap Cer 0805 1n 10% X7r 50v	C443		018-12270-10	Cap 0603 27p 50v NPO ±1%	C550		015-07470-20	CAP Cer 1206 4u7 10% 25V X7R
C319		018-12100-10	Cap 0603 10p 50v NPO±0.1	C444		018-15100-00	Cap 0603 10n 50v X7r ±10%	C551		018-13150-00	Cap 0603 150p 50v NPO ±5%
C322		018-14100-00	Cap 0603 1n 50v X7r ±10%	C445		018-15100-00	Cap 0603 10n 50v X7r ±10%	C554		018-12180-10	Cap 0603 18p 50v NPO ±1%
C323		018-16100-00	Cap 0603 100n 16v x7r + - 10%	C446		018-15100-00	Cap 0603 10n 50v X7r ±10%	C555		018-15150-00	Cap 0603 15n 50v X7r ±10%
C324		018-13470-00	Cap 0603 470p 50v X7r±10%	C448		018-13100-10	Cap 0603 100p 50v NPO±1%	C556		018-13150-00	Cap 0603 150p 50v NPO ±5%
C325		015-26100-08	Cap Cer 0805 100n 10% X7r 50v	C449		018-15100-00	Cap 0603 10n 50v X7r ±10%	C558		018-13150-00	Cap 0603 150p 50v NPO ±5%
C326		015-24100-08	Cap Cer 0805 1n 10% X7r 50v	C450		018-13100-10	Cap 0603 100p 50v NPO±1%	C562		018-13150-00	Cap 0603 150p 50v NPO ±5%
C327		015-24100-08	Cap Cer 0805 1n 10% X7r 50v	C451		018-12560-10	Cap 0603 56p 50v NPO ±1%	C565		015-06100-01	Cap Cer 1206 100n 5% COG 25V
C335		018-13150-00	Cap 0603 150p 50v NPO ±5%	C453		018-12560-10	Cap 0603 56p 50v NPO ±1%	C566		018-13150-00	Cap 0603 150p 50v NPO ±5%
C337		015-24100-08	Cap Cer 0805 1n 10% X7r 50v	C454		018-13180-00	Cap 0603 180p 50v NPO±5%	C579		015-07470-20	CAP Cer 1206 4u7 10% 25V X7R
C338		018-14100-00	Cap 0603 1n 50v X7r ±10%	C455		018-15100-00	Cap 0603 10n 50v X7r ±10%	C583		018-12150-10	Cap 0603 15p 50v NPO ±1%
C339		018-14100-00	Cap 0603 1n 50v X7r ±10%	C456		018-11680-10	Cap 0603 6p8 50v NPO±0.1p	C584		018-12120-10	Cap 0603 12p 50v NPO ±1%
C340		018-14100-00	Cap 0603 1n 50v X7r ±10%	C457		018-16100-00	Cap 0603 100n 16v x7r + - 10%	C585		015-07470-20	CAP Cer 1206 4u7 10% 25V X7R
C341		018-13220-00	Cap 0603 220p 50v NPO±5%	C458		018-16100-00	Cap 0603 100n 16v x7r + - 10%	C587		018-12150-10	Cap 0603 15p 50v NPO ±1%
C342		018-13220-00	Cap 0603 220p 50v NPO±5%	C459		018-16100-00	Cap 0603 100n 16v x7r + - 10%	C600		015-07220-35	Cap Cer 1210 2u2 X5R 35v
C343		018-13220-00	Cap 0603 220p 50v NPO±5%	C460		018-16100-00	Cap 0603 100n 16v x7r + - 10%	C601		018-16100-00	Cap 0603 100n 16v x7r + - 10%
C344		018-13220-00	Cap 0603 220p 50v NPO±5%	C461		018-15100-00	Cap 0603 10n 50v X7r ±10%	C602		018-16100-00	Cap 0603 100n 16v x7r + - 10%
C346		018-14100-00	Cap 0603 1n 50v X7r ±10%	C462		018-11560-10	Cap 0603 5p6 50v NPO±0.1p	C603		018-16100-00	Cap 0603 100n 16v x7r + - 10%
C347		018-14100-00	Cap 0603 1n 50v X7r ±10%	C463		018-16100-00	Cap 0603 100n 16v x7r + - 10%	C604		016-09100-07	Cap Elec SMD 100u 35v Loesr
C348		015-24100-08	Cap Cer 0805 1n 10% X7r 50v	C464		018-13150-00	Cap 0603 150p 50v NPO ±5%	C605		015-26100-08	Cap Cer 0805 100n 10% X7r 50v
C349		015-24100-08	Cap Cer 0805 1n 10% X7r 50v	C465		018-13150-00	Cap 0603 150p 50v NPO ±5%	C606		015-26100-08	Cap Cer 0805 100n 10% X7r 50v
C350		015-24100-08	Cap Cer 0805 1n 10% X7r 50v	C466		018-13270-00	Cap 0603 270p 50v NPO±5%	C608		018-15100-00	Cap 0603 10n 50v X7r ±10%
C353		015-22150-05	Cap 0805 15p 1% 200v	C467		018-12100-10	Cap 0603 10p 50v NPO±0.1	C609		018-16100-00	Cap 0603 100n 16v x7r + - 10%
C354		015-22150-05	Cap 0805 15p 1% 200v	C468		018-11220-10	Cap 0603 2p2 50v NPO±0.1p	C610		018-16100-00	Cap 0603 100n 16v x7r + - 10%
C355		015-22150-05	Cap 0805 15p 1% 200v	C470		018-16100-00	Cap 0603 100n 16v x7r + - 10%	C611		014-07470-05	Cap Tant SMD 4u7 16v 10% A
C356		018-14100-00	Cap 0603 1n 50v X7r ±10%	C471		018-15100-00	Cap 0603 10n 50v X7r ±10%	C613		014-08100-30	Cap Tant SMD 100u 10v Loesr D
C357		018-14100-00	Cap 0603 1n 50v X7r ±10%	C472		018-16100-00	Cap 0603 100n 16v x7r + - 10%	C614		018-16100-00	Cap 0603 100n 16v x7r + - 10%

Parts List

PCB IPN 220-01723-02

Ref	Var	IPN	Description	Ref	Var	IPN	Description	Ref	Var	IPN	Description	Ref	Var	IPN	Description
C701		018-13100-10	Cap 0603 100p 50v NPO±1%	C3545		015-02220-07	Cap Cer 1111 22p 5% 500v C17CF	D720		001-10099-01	Diode BAV99w Dual Ss	L413		059-16820-15	Ind SMD 1008cs 820nh 2%
C702		018-13100-10	Cap 0603 100p 50v NPO±1%	C3551		015-21270-01	Cap Cer 0805 2p7+-0.25 NPO 50v	D721		001-10084-62	Diode SMD BZX84C6V2 Zen SOT23	L414		057-10010-20	Ind 0603 Blm11-B102s 0.1a
C703		018-13100-10	Cap 0603 100p 50v NPO±1%	C3553		015-21330-05	Cap Cer 0805 3p3+-0.1pf 200v	D722		001-10099-01	Diode BAV99w Dual Ss	L415		059-17470-15	Ind SMD 1008cs 4.7uh 2%
C704		018-14100-00	Cap 0603 1n 50v X7r ±10%	C4000		018-15100-00	Cap 0603 10n 50v X7r ±10%	D723		001-10099-01	Diode BAV99w Dual Ss	L417		059-17470-15	Ind SMD 1008cs 4.7uh 2%
C705		018-14100-00	Cap 0603 1n 50v X7r ±10%	C4002		018-12100-10	Cap 0603 10p 50v NPO±0.1	D724		001-10084-33	Diode SMD BZX84C3V3 Zen SOT23	L419		057-10010-20	Ind 0603 Blm11-B102s 0.1a
C706		018-15100-00	Cap 0603 10n 50v X7r ±10%	C4003		018-16100-00	Cap 0603 100n 16v x7r + - 10%	D725		001-10070-01	Diode BAV70W Dual Ss SOT323	L500		059-17470-15	Ind SMD 1008cs 4.7uh 2%
C707		018-16100-00	Cap 0603 100n 16v x7r + - 10%	C4005		018-12100-10	Cap 0603 10p 50v NPO±0.1	D726		001-10099-01	Diode BAV99w Dual Ss	L501		159-77220-35	Ind SMD 0603 2.2uh 10% Smi F
C708		018-15100-00	Cap 0603 10n 50v X7r ±10%	C4006		018-14100-00	Cap 0603 1n 50v X7r ±10%	D4000		001-10017-06	Diode SMD BAT17-06W SOT323	L502		050-10000-40	Coil SMD DC/DC Convrt
C709		018-15100-00	Cap 0603 10n 50v X7r ±10%	C4007		018-14100-00	Cap 0603 1n 50v X7r ±10%	D4001		001-10017-06	Diode SMD BAT17-06W SOT323	L503		059-17470-15	Ind SMD 1008cs 4.7uh 2%
C710		018-13470-00	Cap 0603 470p 50v X7r±10%	C4008		018-14100-00	Cap 0603 1n 50v X7r ±10%	D4002		001-10000-18	Diode SMD BAT18 S-Sw SOT23	L504		059-17470-15	Ind SMD 1008cs 4.7uh 2%
C711		018-13470-00	Cap 0603 470p 50v X7r±10%	C4009		018-11100-10	Cap 0603 1p0 50v NPO±0.1p	D4003		001-10056-01	Diode BAW56W Dual Ss SOT323	L505		059-17820-10	Ind SMD 1008ls 8.2uh 5%
C712		018-13470-00	Cap 0603 470p 50v X7r±10%	C4010		018-12470-10	Cap 0603 47p 50v NPO ±1%	D4004		001-10056-01	Diode BAW56W Dual Ss SOT323	L506		057-10010-20	Ind 0603 Blm11-B102s 0.1a
C713		018-13470-00	Cap 0603 470p 50v X7r±10%	C4011		018-13220-00	Cap 0603 220p 50v NPO±5%	D5000		001-10006-39	Diode SMD BB639 Vcap SOD323	L507		059-15330-00	Ind Fxd 0603hs 33nh 5%
C714		018-16100-00	Cap 0603 100n 16v x7r + - 10%	C4012		018-16100-00	Cap 0603 100n 16v x7r + - 10%	D5001		001-10006-39	Diode SMD BB639 Vcap SOD323	L510		057-10010-20	Ind 0603 Blm11-B102s 0.1a
C715		015-26100-08	Cap Cer 0805 100n 10% X7r 50v	C4015		018-13270-00	Cap 0603 270p 50v NPO±5%	D5002		001-10006-39	Diode SMD BB639 Vcap SOD323	L512		059-15390-00	Ind SMD 0603hs 39nh 5%
C717		018-16100-00	Cap 0603 100n 16v x7r + - 10%	C4016		018-15470-00	Cap 0603 47n 16v X7r±10%	D5003		001-10006-39	Diode SMD BB639 Vcap SOD323	L600		057-10600-05	Ind 0603 Blm11p600s .5a F/Bead
C718		018-16100-00	Cap 0603 100n 16v x7r + - 10%	C4017		018-13100-10	Cap 0603 100p 50v NPO±1%	D5004		001-10018-05	Diode BAT18-05 Dual Com Cat	L601		057-10100-65	Ind SMD Pwr Cdrh6D38 100UH .65
C719		018-15100-00	Cap 0603 10n 50v X7r ±10%	C4030		018-14100-00	Cap 0603 1n 50v X7r ±10%	DIG_BCAN		319-01258-00	Shld Can Dglt TMA	L2502		057-10010-45	Ind SMD Pwr CDRH2D18 10UH .43A
C720		018-15100-00	Cap 0603 10n 50v X7r ±10%	C5000		018-16100-00	Cap 0603 100n 16v x7r + - 10%	DIG_TCAN		319-01258-00	Shld Can Dglt TMA	L700		057-10010-20	Ind 0603 Blm11-B102s 0.1a
C721		018-15100-00	Cap 0603 10n 50v X7r ±10%	C5001		018-16100-00	Cap 0603 100n 16v x7r + - 10%	DIRC_TOP		319-01255-00	Shld Can Direc-Coup TMA	L701		057-10010-20	Ind 0603 Blm11-B102s 0.1a
C722		018-16100-00	Cap 0603 100n 16v x7r + - 10%	C5002		018-11100-10	Cap 0603 1p0 50v NPO±0.1p	FCL_TOP		319-01257-00	Shld Can Frt End TMA	L702		057-10010-20	Ind 0603 Blm11-B102s 0.1a
C723		018-13470-00	Cap 0603 470p 50v X7r±10%	C5003		018-13470-00	Cap 0603 470p 50v X7r±10%	FE_TOP		319-01257-00	Shld Can Frt End TMA	L703		057-10010-20	Ind 0603 Blm11-B102s 0.1a
C724		018-13470-00	Cap 0603 470p 50v X7r±10%	C5004		018-11220-10	Cap 0603 2p2 50v NPO±0.1p	HS300		316-85137-01	Plate Copper Heat TMA	L704		057-10010-20	Ind 0603 Blm11-B102s 0.1a
C725		018-13470-00	Cap 0603 470p 50v X7r±10%	C5006		018-14100-00	Cap 0603 1n 50v X7r ±10%	HS301		316-85144-00	Plate Copper Heat TMAH	L706		057-10010-20	Ind 0603 Blm11-B102s 0.1a
C726		018-13470-00	Cap 0603 470p 50v X7r±10%	C5008		018-14100-00	Cap 0603 1n 50v X7r ±10%	IC200	TM8100	not fitted		L707		057-10010-20	Ind 0603 Blm11-B102s 0.1a
C727		018-13470-00	Cap 0603 470p 50v X7r±10%	C5009		018-11560-10	Cap 0603 5p6 50v NPO±0.1p	IC200	TM8200	002-15468-23	IC DPOT MAX5468 10K 32-T SOT23	L708		057-10010-20	Ind 0603 Blm11-B102s 0.1a
C728		018-13470-00	Cap 0603 470p 50v X7r±10%	C5011		018-14100-00	Cap 0603 1n 50v X7r ±10%	IC201		002-20103-24	IC BA10324 4x Op Amp Ssop-14	L709		057-10010-20	Ind 0603 Blm11-B102s 0.1a
C729		018-13470-00	Cap 0603 470p 50v X7r±10%	C5012		018-13150-00	Cap 0603 150p 50v NPO ±5%	IC202		002-10151-90	IC SMD TDA1519C 2x111w Aud Pwr	L3502		057-10010-20	Ind 0603 Blm11-B102s 0.1a
C730		018-13470-00	Cap 0603 470p 50v X7r±10%	C5013		018-14100-00	Cap 0603 1n 50v X7r ±10%	IC203		002-16236-70	IC M62367GP 8bit 8ch D-A Ssop	L3502		059-76100-35	Ind SMD 0603 100nh 5% Swi C
C731		018-13470-00	Cap 0603 470p 50v X7r±10%	C5014		018-14100-00	Cap 0603 1n 50v X7r ±10%	IC204		002-10065-21	IC AD6521ACA Dual Codec	L3504		059-16330-05	Ind SMD 0805cs 330nh 5%
C732		018-13470-00	Cap 0603 470p 50v X7r±10%	C5016		018-14100-00	Cap 0603 1n 50v X7r ±10%	IC205		002-10045-50	IC SMD AK4550VT Codec Tssop-16	L3530		152-12548-40	Coil A/W SMDp 4t/4.8mm 1.25mm
C733		015-26100-08	Cap Cer 0805 100n 10% X7r 50v	C5017		018-14100-00	Cap 0603 1n 50v X7r ±10%	IC301		002-20103-24	IC BA10324 4x Op Amp Ssop-14	L3531		152-12538-40	Coil A/W SMDp 4t/3.8mm 1.25mm
C3003		016-08100-03	Cap Elec SMD 10uF 35V 105/2000	C5018		018-14100-00	Cap 0603 1n 50v X7r ±10%	IC303		002-20103-24	IC BA10324 4x Op Amp Ssop-14	L3534		059-15560-00	Ind SMD 0603hs 56nh 5%
C3017		015-02680-07	Cap Cer 1111 68p 5% 500v C17cf	CDC_BOOT		319-01208-02	Shld Synth/If T/Orca	IC400		002-10266-70	IC SMD RF2667 Quad Demod Q-Sop	L4000		057-10010-20	Ind 0603 Blm11-B102s 0.1a
C3018		015-02680-07	Cap Cer 1111 68p 5% 500v C17cf	CDC_TOP		319-01208-02	Shld Synth/If T/Orca	IC403		002-10160-10	IC SMD LMX1601 Dual Pll Tssop	L4001		059-75180-55	Ind SMD 0805 18nh 5% Swi C
C3019		018-16100-00	Cap 0603 100n 16v x7r + - 10%	D301		001-10099-01	Diode BAV99w Dual Ss	IC500		002-74910-41	IC SMD 74V1G04 Inverter SC70	L5000		059-16820-10	Ind SMD 1008cs 820nh 5%
C3035		018-14100-00	Cap 0603 1n 50v X7r ±10%	D303		001-10841-10	Diode SMD BZX84C11v ZEN SOT23	IC501		002-74916-60	IC SMD 74HC1G66 Bilat Sw Sc70	L5001		059-15680-15	Ind SMD 1008cs 68nh 2%
C3063		018-13150-00	Cap 0603 150p 50v NPO ±5%	D304		001-10070-07	Diode BAS70-07w Dualsch SOT343	IC502		002-10072-20	IC LMV722 2XOPAMP L/Noise Msop	L5002		059-15047-00	Ind SMD 0603cs 4n7xj
C3066		015-22560-05	Cap 0805 56p 1% 200v	D305		001-10070-07	Diode BAS70-07w Dualsch SOT343	IC503		002-14111-00	IC SMD ADF4111BRU PLL Tssop16	L5003		059-15047-00	Ind SMD 0603cs 4n7xj
C3068		015-22560-05	Cap 0805 56p 1% 200v	D307		001-10012-50	Diode SMD MA4P1250 Pin3x2mm	IC504		002-10040-66	IC SMD 4066 Quad Bilat Sw S014	L5005		059-16820-10	Ind SMD 1008cs 820nh 5%
C3500		018-14100-00	Cap 0603 1n 50v X7r ±10%	D310		001-10012-50	Diode SMD MA4P1250 Pin3x2mm	IC505		002-10227-21	IC SMD TLC2272CPW 0-amp	L5006		059-16120-00	Ind SMD 0603hs 120nh 5%
C3503		018-14100-00	Cap 0603 1n 50v X7r ±10%	D311		001-10070-01	Diode BAV70W Dual Ss SOT323	IC600		002-13823-33	IC TPS3823-33 3V3 Reset/Wdt	L5007		057-10010-20	Ind 0603 Blm11-B102s 0.1a
C3504		018-14100-00	Cap 0603 1n 50v X7r ±10%	D400		001-10099-01	Diode BAV99w Dual Ss	IC601		002-10009-00	IC LF90CPT V/LO DROP OUT 9VREG	L5008		057-10010-20	Ind 0603 Blm11-B102s 0.1a
C3505		018-14100-00	Cap 0603 1n 50v X7r ±10%	D401		001-10066-02	Diode SMD BBY66-02v Vcap Sc-79	IC602		002-12674-33	IC SMD LM2674 3V3 .5a Sops S08	LK1		036-10000-00	RES 0805 OR 1/8W
C3509		018-12180-10	Cap 0603 18p 50v NPO ±1%	D402		001-10066-02	Diode SMD BBY66-02v Vcap Sc-79	IC603		002-10792-30	IC TPS79230 3V0 LDD 100mA Reg	LK2		036-10000-00	RES 0805 OR 1/8W
C3510		018-14100-00	Cap 0603 1n 50v X7r ±10%	D403		001-10066-02	Diode SMD BBY66-02v Vcap Sc-79	IC604		002-10792-25	IC TPS79225 2V5 LDD 100mA Reg	LK3		036-10000-00	RES 0805 OR 1/8W
C3511		018-16100-00	Cap 0603 100n 16v x7r + - 10%	D404		001-10066-02	Diode SMD BBY66-02v Vcap Sc-79	IC605		000-10511-00	Xstr SMD IPS511S MOSFET Switch	LK5		036-10000-00	RES 0805 OR 1/8W
C3512		018-14100-00	Cap 0603 1n 50v X7r ±10%	D405		001-10015-00	Diode SMD BAT15-099R SOD323	IC606		002-11126-00	IC Smd LK112M60TR 6V 150mA Reg	LK7		036-10000-00	RES 0805 OR 1/8W
C3513		018-14100-00	Cap 0603 1n 50v X7r ±10%	D501		001-10015-30	Diode SMD Vcap BB153 SOD323	IF_TOP		319-01256-00	Shld Can If TMA	LO2_BOOT		319-01210-00	Shld Low Pass Fltr T/Orca
C3514		018-14100-00	Cap 0603 1n 50v X7r ±10%	D502		001-10005-35	Diode SMD BB535 Vcap SOD323	L3		153-12529-20	Coil s/w SMD 2t/2.9 1.25 1.989	LPF_TOP		319-01251-00	Shld Can Lpf TMA
C3515		018-16100-00	Cap 0603 100n 16v x7r + - 10%	D503		001-10099-01	Diode BAV99w Dual Ss	L4		152-12534-40	Coil A/W SMDp 4t/3.4mm 1.25mm	MCM1	TM8100	XMABP10	Rmb TMA 40x41 EP1C6x5402
C3516		018-16100-00	Cap 0603 100n 16v x7r + - 10%	D600		001-10153-00	Diode SMD SM15T30a TranSII Smc	L100		057-10010-20	Ind 0603 Blm11-B102s 0.1a	MCM1	TM8200	XMABP20	Rmb TMA 40x41 EP1C12x5402
C3517		018-14100-00	Cap 0603 1n 50v X7r ±10%	D601		001-10070-01	Diode BAV70W Dual Ss SOT323	L101		057-10010-20	Ind 0603 Blm11-B102s 0.1a	NB_BOOT		319-01208-02	Shld Synth/If T/Orca
C3518		015-03150-07	Cap Cer 1111 150p 5% 300VC17CF	D602		001-10054-02	Diode SMD BAT54AW SOT-323	L102		057-10010-20	Ind 0603 Blm11-B102s 0.1a	PAD_TOP		319-01254-00	Shld Can Pad TMA
C3519		015-03150-07	Cap Cer 1111 150p 5% 300VC17CF	D603		001-10070-01	Diode BAV70W Dual Ss SOT323	L104		057-10081-06	Ind 1806 Blm41p750s Emi Supr	PAF_TOP		319-01253-00	Shld Can Paf TMA
C3520		015-03100-07	Cap Cer 1111 100p 5% 500VC17CF	D604		001-10070-01	Diode BAV70W Dual Ss SOT323	L200		057-10010-20	Ind 0603 Blm11-B102s 0.1a	PIN_TOP		319-01252-00	Shld Can Pin Sw TMA
C3521		015-03100-07	Cap Cer 1111 100p 5% 500VC17CF	D606		001-10014-03	Diode SMD MBR5140T3 Sch	L303		052-57423-70	Coil A/W SMD 7t/2.3mm .57mm	PL100		240-00040-00	Conn 4way Power Male TMAH
C3522		015-02820-07													

# Parts List

# PCB IPN 220-01723-02

Ref	Var	IPN	Description	Ref	Var	IPN	Description	Ref	Var	IPN	Description	Ref	Var	IPN	Description
Q405		000-10000-90	Xstr PUMD9 Dual NPN/PNP SOT363	R223		038-14390-10	RES 0603 3k9 1% 1/10W	R378		038-15470-10	RES 0603 47k 1% 1/10W	R523		038-16100-10	RES 0603 100k 1% 1/10W
Q500		000-10085-71	Xstr SMD BC857BW PNP SOT323	R224		038-15150-10	RES 0603 15k 1% 1/10W	R379		038-14680-10	RES 0603 6k8 1% 1/10W	R524		038-15560-10	RES 0603 56k 1% 1/10W
Q501		000-10001-71	Xstr RF BFS17W NPN SOT323UHF	R225		038-12470-00	RES 0603 47R 5% 1/10W	R380		038-14220-00	RES 0603 2k2 5% 1/10W	R525		038-12470-00	RES 0603 47R 5% 1/10W
Q502		000-10084-71	Xstr BC847BW NPN SOT323	R226		038-14220-00	RES 0603 2k2 5% 1/10W	R381		038-15470-10	RES 0603 47k 1% 1/10W	R526		038-14100-10	RES 0603 1k0 1% 1/10W
Q503		000-10001-71	Xstr RF BFS17W NPN SOT323UHF	R227		038-14220-00	RES 0603 2k2 5% 1/10W	R382		038-14470-10	Res 0603 4k7 1% 100ppm	R527		038-15330-10	RES 0603 33k 1% 1/10W
Q505		000-10084-71	Xstr BC847BW NPN SOT323	R228		038-15100-10	RES 0603 10k 1% 1/10W	R385		038-14470-10	Res 0603 4k7 1% 100ppm	R528		038-13470-00	RES 0603 470R 5% 1/10W
Q508		000-10084-72	Xstr BC847BS NPN Dual SOT363	R229		038-15470-10	RES 0603 47k 1% 1/10W	R386		038-14220-00	RES 0603 2k2 5% 1/10W	R529		038-16100-10	RES 0603 100k 1% 1/10W
Q511		000-10084-73	Xstr BC847BPNNPN/PNP SOT363	R230		038-15470-10	RES 0603 47k 1% 1/10W	R387		038-14680-10	RES 0603 6k8 1% 1/10W	R530		038-13100-10	RES 0603 100R 1% 1/10W
Q512		000-10084-71	Xstr BC847BW NPN SOT323	R231		038-14120-10	RES 0603 1k2 1% 1/10W	R388		038-15470-10	RES 0603 47k 1% 1/10W	R531		038-13820-00	RES 0603 820R 5% 1/10W
Q600		000-10085-71	Xstr SMD BC857BW PNP SOT323	R232		038-15470-10	RES 0603 47k 1% 1/10W	R389		036-03150-07	RES Pwr 2010 150R 5% 0.5W	R532		038-14100-10	RES 0603 1k0 1% 1/10W
Q601		000-10084-71	Xstr BC847BW NPN SOT323	R233		038-15470-10	RES 0603 47k 1% 1/10W	R390		036-03150-07	RES Pwr 2010 150R 5% 0.5W	R533		038-12220-00	RES 0603 22R 5% 1/10W
Q602		000-10084-71	Xstr BC847BW NPN SOT323	R234		038-15470-10	RES 0603 47k 1% 1/10W	R391		038-15470-10	RES 0603 47k 1% 1/10W	R534		038-15100-10	RES 0603 10k 1% 1/10W
Q603		000-10002-05	Xstr SMD BSH205 P Mos SOT23	R235		038-15470-10	RES 0603 47k 1% 1/10W	R392		038-15330-10	RES 0603 33k 1% 1/10W	R535		038-15100-10	RES 0603 10k 1% 1/10W
Q604		000-10084-71	Xstr BC847BW NPN SOT323	R236		038-14100-10	RES 0603 1k0 1% 1/10W	R393		038-15100-10	RES 0603 10k 1% 1/10W	R536		038-16100-10	RES 0603 100k 1% 1/10W
Q605		000-10002-05	Xstr SMD BSH205 P Mos SOT23	R238		038-14120-10	RES 0603 1k2 1% 1/10W	R396		038-16330-10	RES 0603 330k 1% 1/10W	R537		038-16105-10	RES 0603 105k 1% 1/10W
Q700		000-10085-71	Xstr SMD BC857BW PNP SOT323	R239		038-16100-10	RES 0603 100k 1% 1/10W	R397		038-10000-00	RES 0603 0R	R538		038-16100-10	RES 0603 100k 1% 1/10W
Q701		000-10084-73	Xstr BC847BPNNPN/PNP SOT363	R240		038-16120-10	RES 0603 120k 1% 1/10W	R398		038-15470-10	RES 0603 47k 1% 1/10W	R539		038-15100-10	RES 0603 10k 1% 1/10W
Q702		000-10084-71	Xstr BC847BW NPN SOT323	R241		038-14470-10	Res 0603 4k7 1% 100ppm	R399		038-15470-10	RES 0603 47k 1% 1/10W	R540		038-12470-00	RES 0603 47R 5% 1/10W
Q703		000-10084-73	Xstr BC847BPNNPN/PNP SOT363	R242		038-14100-10	RES 0603 1k0 1% 1/10W	R400		038-15100-10	RES 0603 10k 1% 1/10W	R541		038-13560-10	RES 0603 560R 1% 1/10W
Q704		000-10084-73	Xstr BC847BPNNPN/PNP SOT363	R243		038-15100-10	RES 0603 10k 1% 1/10W	R401		038-16100-10	RES 0603 100k 1% 1/10W	R542		038-10000-00	RES 0603 0R
Q705		000-10084-73	Xstr BC847BPNNPN/PNP SOT363	R245		038-15100-10	RES 0603 10k 1% 1/10W	R403		038-14100-10	RES 0603 1k0 1% 1/10W	R543		038-12470-00	RES 0603 47R 5% 1/10W
Q706		000-10084-73	Xstr BC847BPNNPN/PNP SOT363	R246		038-15100-10	RES 0603 10k 1% 1/10W	R404		038-10000-00	RES 0603 0R	R544		038-12470-00	RES 0603 47R 5% 1/10W
Q708		000-10085-71	Xstr SMD BC857BW PNP SOT323	R247		038-15100-10	RES 0603 10k 1% 1/10W	R406		038-15470-10	RES 0603 47k 1% 1/10W	R545		038-15180-00	RES 0603 18k 5% 1/10W
Q709		000-10085-71	Xstr SMD BC857BW PNP SOT323	R249		038-10000-00	RES 0603 0R	R407		038-16330-10	RES 0603 330k 1% 1/10W	R546		038-15180-00	RES 0603 18k 5% 1/10W
Q3501		000-10957-00	Xstr SMD PRF957 NPN SOT323	R250		038-16100-10	RES 0603 100k 1% 1/10W	R408		038-15100-10	RES 0603 10k 1% 1/10W	R547		038-13270-10	RES 0603 270R 1% 1/10W
Q3502		000-10957-00	Xstr SMD PRF957 NPN SOT323	R251		038-10000-00	RES 0603 0R	R409		038-13470-00	RES 0603 470R 5% 1/10W	R548		038-12220-00	RES 0603 22R 5% 1/10W
Q3504		000-10085-70	Xstr BC856 PNP Dual SOT363	R252		038-12220-00	RES 0603 22R 5% 1/10W	R410		038-12220-00	RES 0603 22R 5% 1/10W	R549		038-12220-00	RES 0603 22R 5% 1/10W
Q3505		000-10005-91	Xstr SMD BFO591 NPN WB SOT89	R253		038-12220-00	RES 0603 22R 5% 1/10W	R411		038-12820-00	RES 0603 82R 5% 1/10W	R550		038-15180-00	RES 0603 18k 5% 1/10W
Q4000		000-10941-00	Xstr SMD PBR941 NPN SOT23	R312		038-10000-00	RES 0603 0R	R412		038-14330-10	RES 0603 3k3 1% 1/10W	R551		038-14270-00	RES 0603 2k7 5% 1/10W
Q4002		000-10000-50	Xstr SMD UMX5N Dual NPN SOT363	R313		038-16100-10	RES 0603 100k 1% 1/10W	R413		038-14270-00	RES 0603 2k7 5% 1/10W	R552		038-15120-10	RES 0603 12k 1% 1/10W
Q4003		000-10941-00	Xstr SMD PBR941 NPN SOT23	R314		038-15560-10	RES 0603 56k 1% 1/10W	R414		038-12150-10	RES 0603 15R 1% 1/10W	R554		038-13680-00	RES 0603 680R 5% 1/10W
Q4004		000-10000-50	Xstr SMD UMX5N Dual NPN SOT363	R315		038-16100-10	RES 0603 100k 1% 1/10W	R415		038-13560-10	RES 0603 560R 1% 1/10W	R555		038-16100-10	RES 0603 100k 1% 1/10W
Q4005		000-10000-50	Xstr SMD UMX5N Dual NPN SOT363	R318		038-16220-00	RES 0603 220k 5% 1/10W	R416		038-15220-10	RES 0603 22k 1% 1/10W	R556		038-14330-10	RES 0603 3k3 1% 1/10W
Q4006		000-10084-62	Xstr BC846S Dual SOT363 NPN	R321		038-15330-10	RES 0603 33k 1% 1/10W	R417		038-14470-10	Res 0603 4k7 1% 100ppm	R557		038-14220-00	RES 0603 2k2 5% 1/10W
Q4007		000-10084-73	Xstr BC847BPNNPN/PNP SOT363	R322		038-16220-00	RES 0603 220k 5% 1/10W	R418		038-14680-10	RES 0603 6k8 1% 1/10W	R560		038-14220-00	RES 0603 2k2 5% 1/10W
Q5000		000-10009-30	Xstr SMD BFR93A NPN SOT23	R323		038-16100-10	RES 0603 100k 1% 1/10W	R419		038-12150-10	RES 0603 15R 1% 1/10W	R563		038-12330-20	RES 0603 33R0 0.5% 1/10W
Q5001		000-10001-72	Xstr R BFS17S NPN SOT363	R324		038-17100-10	RES 0603 1M 1% 1/10W	R420		038-14100-10	RES 0603 1k0 1% 1/10W	R565		038-14180-00	RES 0603 1k8 5% 1/10W
Q5002		000-10085-70	Xstr BC856 PNP Dual SOT363	R327		038-15100-10	RES 0603 10k 1% 1/10W	R421		038-15100-10	RES 0603 10k 1% 1/10W	R566		038-15270-20	RES 0603 27k 0.5% 1/10W
Q5003		000-10084-71	Xstr BC847BW NPN SOT323	R328		036-12470-00	RES 0805 47R 5% 1/8W	R422		038-16100-10	RES 0603 100k 1% 1/10W	R568		038-14330-10	RES 0603 3k3 1% 1/10W
Q5004		000-10085-71	Xstr SMD BC857BW PNP SOT323	R329		036-12470-00	RES 0805 47R 5% 1/8W	R423		038-16100-10	RES 0603 100k 1% 1/10W	R569		038-16100-10	RES 0603 100k 1% 1/10W
R100		038-14470-10	Res 0603 4k7 1% 100ppm	R331		038-16100-10	RES 0603 100k 1% 1/10W	R424		038-12470-00	RES 0603 47R 5% 1/10W	R570		038-15270-20	RES 0603 27k 0.5% 1/10W
R101		038-14470-10	Res 0603 4k7 1% 100ppm	R333		038-10000-00	RES 0603 0R	R425		038-14220-00	RES 0603 2k2 5% 1/10W	R571		038-13390-10	RES 0603 390R 1% 1/10W
R102		038-14220-00	RES 0603 2k2 5% 1/10W	R334		038-14100-10	RES 0603 1k0 1% 1/10W	R426		038-14150-00	RES 0603 1k5 5% 1/10W	R573		038-12330-20	RES 0603 33R0 0.5% 1/10W
R103		038-14220-00	RES 0603 2k2 5% 1/10W	R335		038-11470-00	RES 0603 4R7 5% 1/10W	R427		038-14150-00	RES 0603 1k5 5% 1/10W	R594		038-14270-00	RES 0603 2k7 5% 1/10W
R104		038-14220-00	RES 0603 2k2 5% 1/10W	R336		038-15100-10	RES 0603 10k 1% 1/10W	R428		038-13820-00	RES 0603 820R 5% 1/10W	R598		038-14270-00	RES 0603 2k7 5% 1/10W
R105		038-16100-10	RES 0603 100k 1% 1/10W	R337		038-11470-00	RES 0603 4R7 5% 1/10W	R430		038-15390-10	RES 0603 39k2 1% 1/10W	R600		038-15330-10	RES 0603 33k 1% 1/10W
R106		038-14470-10	Res 0603 4k7 1% 100ppm	R338		036-12100-10	RES 0805 10R 1% 1/8W	R431		038-17100-10	RES 0603 1M 1% 1/10W	R601		038-15330-10	RES 0603 33k 1% 1/10W
R107		038-14470-10	Res 0603 4k7 1% 100ppm	R339		038-14470-10	Res 0603 4k7 1% 100ppm	R432		038-17100-10	RES 0603 1M 1% 1/10W	R602		038-10000-00	RES 0603 0R
R108		038-13680-00	RES 0603 680R 5% 1/10W	R340		038-14330-10	RES 0603 3k3 1% 1/10W	R433		038-14560-00	RES 0603 5k6 5% 1/10W	R603		038-14100-10	RES 0603 1k0 1% 1/10W
R109		038-13820-00	RES 0603 820R 5% 1/10W	R341		038-14330-10	RES 0603 3k3 1% 1/10W	R434		038-16100-10	RES 0603 100k 1% 1/10W	R604		038-13270-10	RES 0603 270R 1% 1/10W
R110		038-14470-10	Res 0603 4k7 1% 100ppm	R342		038-17221-10	RES 0603 2M21 1% 1/10W	R435		038-13560-10	RES 0603 560R 1% 1/10W	R605		038-15470-10	RES 0603 47k 1% 1/10W
R112		038-10000-00	RES 0603 0R	R343		036-11470-00	RES 0805 4R7 5% 1/8W	R436		038-14150-00	RES 0603 1k5 5% 1/10W	R607		038-15100-10	RES 0603 10k 1% 1/10W
R199		038-10000-00	RES 0603 0R	R345		038-10000-00	RES 0603 0R	R437		038-13680-00	RES 0603 680R 5% 1/10W	R610		038-15120-10	RES 0603 12k 1% 1/10W
R200		038-15470-10	RES 0603 47k 1% 1/10W	R346		038-14220-00	RES 0603 2k2 5% 1/10W	R438		038-13680-00	RES 0603 680R 5% 1/10W	R611		038-11470-00	RES 0603 4R7 5% 1/10W
R201		038-15470-10	RES 0603 47k 1% 1/10W	R347		038-16100-10	RES 0603 100k 1% 1/10W	R500		038-16100-10	RES 0603 100k 1% 1/10W	R612		038-10000-00	RES 0603 0R
R202		038-15470-10	RES 0603 47k 1% 1/10W	R350		038-14470-10	RES 0603 4k7 1% 100ppm	R501		038-12220-00	RES 0603 22R 5% 1/10W	R614		038-10000-00	RES 0603 0R
R203		038-15470-10	RES 0603 47k 1% 1/10W	R353		038-16100-10	RES 0603 100k 1% 1/10W	R502		038-16100-10	RES 0603 100k 1% 1/10W	R615		038-15470	

## Parts List

PCB IPN 220-01723-02

Ref	Var	IPN	Description	Ref	Var	IPN	Description	Ref	Var	IPN	Description
R710		038-15470-10	RES 0603 47k 1% 1/10W	R3035		038-13100-10	RES 0603 100R 1% 1/10W	R5002		038-12560-00	RES 0603 56R 5% 1/10W
R711		038-15470-10	RES 0603 47k 1% 1/10W	R3063		036-12180-00	RES 0805 18R 5% 1/8W	R5003		038-12220-00	RES 0603 22R 5% 1/10W
R712		038-14470-10	Res 0603 4k7 1% 100ppm	R3070		038-10000-00	RES 0603 OR	R5004		038-13330-00	RES 0603 330R 5% 1/10W
R713		038-15330-10	RES 0603 33k 1% 1/10W	R3071		038-10000-00	RES 0603 OR	R5005		038-13100-10	RES 0603 100R 1% 1/10W
R714		038-12560-00	RES 0603 56R 5% 1/10W	R3501		038-12330-00	RES 0603 33R 5% 1/10W	R5006		038-14120-10	RES 0603 1k2 1% 1/10W
R715		038-13820-00	RES 0603 820R 5% 1/10W	R3502		038-12270-00	RES 0603 27R 5% 1/10W	R5007		038-13820-00	RES 0603 820R 5% 1/10W
R716		038-15100-10	RES 0603 10k 1% 1/10W	R3503		038-12270-00	RES 0603 27R 5% 1/10W	R5008		038-14100-10	RES 0603 1k0 1% 1/10W
R717		038-15470-10	RES 0603 47k 1% 1/10W	R3504		038-13680-00	RES 0603 680R 5% 1/10W	R5010		038-15100-10	RES 0603 10k 1% 1/10W
R718		038-15100-10	RES 0603 10k 1% 1/10W	R3505		038-14270-00	RES 0603 2k7 5% 1/10W	R5011		038-15220-10	RES 0603 22k 1% 1/10W
R719		038-14560-00	RES 0603 5k6 5% 1/10W	R3506		038-12100-10	RES 0603 10R 1% 1/10W	R5012		038-14220-00	RES 0603 2k2 5% 1/10W
R720		038-15100-10	RES 0603 10k 1% 1/10W	R3507		038-12270-00	RES 0603 27R 5% 1/10W	R5014		038-15100-10	RES 0603 10k 1% 1/10W
R721		038-15470-10	RES 0603 47k 1% 1/10W	R3508		038-12390-10	RES 0603 39R2 1% 1/10W	R5015		038-12270-00	RES 0603 27R 5% 1/10W
R722		038-13560-10	RES 0603 560R 1% 1/10W	R3509		038-12270-00	RES 0603 27R 5% 1/10W	R5018		038-10000-00	RES 0603 OR
R723		038-15330-10	RES 0603 33k 1% 1/10W	R3510		038-14390-10	RES 0603 3k9 1% 1/10W	R5019		038-14470-10	Res 0603 4k7 1% 100ppm
R724		038-15330-10	RES 0603 33k 1% 1/10W	R3511		038-13470-00	RES 0603 470R 5% 1/10W	R5021		038-15150-10	RES 0603 15k 1% 1/10W
R725		038-15330-10	RES 0603 33k 1% 1/10W	R3512		036-12470-00	RES 0805 47R 5% 1/8W	R5023		038-14560-00	RES 0603 5k6 5% 1/10W
R726		038-15330-10	RES 0603 33k 1% 1/10W	R3513		036-12270-00	RES 0805 27R 5% 1/8W	R5024		038-16100-10	RES 0603 100k 1% 1/10W
R727		038-15330-10	RES 0603 33k 1% 1/10W	R3514		036-12390-00	RES 0805 39R 5% 1/8W	R5025		038-15220-10	RES 0603 22k 1% 1/10W
R728		038-15330-10	RES 0603 33k 1% 1/10W	R3517		038-11470-00	RES 0603 4R7 5% 1/10W	R5026		038-14470-10	Res 0603 4k7 1% 100ppm
R729		038-15330-10	RES 0603 33k 1% 1/10W	R3518		036-12220-00	RES 0805 22R 5% 1/8W	R5027		038-14470-10	Res 0603 4k7 1% 100ppm
R730		038-15330-10	RES 0603 33k 1% 1/10W	R3519		038-14680-10	RES 0603 6k8 1% 1/10W	R5028		038-10000-00	RES 0603 OR
R731		038-14100-10	RES 0603 1k0 1% 1/10W	R3520		038-13330-00	RES 0603 330R 5% 1/10W	R5030		038-14470-10	Res 0603 4k7 1% 100ppm
R732		038-14100-10	RES 0603 1k0 1% 1/10W	R3521		036-11680-10	RES 0805 6R8 1% 1/8W	R5031		038-13120-00	RES 0603 120R 5% 1/10W
R733		038-14100-10	RES 0603 1k0 1% 1/10W	R3522		036-11680-10	RES 0805 6R8 1% 1/8W	SK100		240-10006-00	Skt SMD Dual Row Ra 2.54mm
R734		038-14100-10	RES 0603 1k0 1% 1/10W	R3523		038-11470-00	RES 0603 4R7 5% 1/10W	SK101		240-02022-00	Skt Drrng 15Way Ra S/Line Fem
R735		038-14100-10	RES 0603 1k0 1% 1/10W	R3524		036-13560-10	RES 0805 560R 1% 1/8W	SK102		240-10000-11	Conn SMD 18w Skt M/Match
R736		038-14100-10	RES 0603 1k0 1% 1/10W	R3525		038-13220-10	RES 0603 220R 1% 1/10W	SK103	BNC	240-00028-00	Conn Rf Female BNC TMA
R737		038-14100-10	RES 0603 1k0 1% 1/10W	R3526		036-12390-00	RES 0805 39R 5% 1/8W	SPARE1		036-10000-00	RES 0805 OR 1/8W
R738		038-14100-10	RES 0603 1k0 1% 1/10W	R3527		036-13270-00	RES 0805 270R 5% 1/8W	SPARE2		036-10000-00	RES 0805 OR 1/8W
R739		038-14100-10	RES 0603 1k0 1% 1/10W	R3530		036-16100-10	RES 0805 100k 1% 1/8W	SPARE3		036-10000-00	RES 0805 OR 1/8W
R740		038-16100-10	RES 0603 100k 1% 1/10W	R3531		036-13330-10	RES 0805 330R 1% 1/8W	SYN_BOT		319-01205-00	Shld Top Side VCO T/Orca
R741		038-16100-10	RES 0603 100k 1% 1/10W	R3535		036-17100-10	RES 0805 1M 1% 1/8W	SYN_TOP		319-01260-00	Shld Can Synth 6.7mm TMA
R742		038-16100-10	RES 0603 100k 1% 1/10W	R3536		036-17100-10	RES 0805 1M 1% 1/8W	T400		050-10061-70	Bal Mxr SMD 617db-1018
R743		038-14100-10	RES 0603 1k0 1% 1/10W	R3537		036-12470-00	RES 0805 47R 5% 1/8W	T401		050-10061-70	Bal Mxr SMD 617db-1018
R744		038-12470-00	RES 0603 47R 5% 1/10W	R3539		036-13560-10	RES 0805 560R 1% 1/8W	VC0_BOT		319-01206-01	Shld Bttm Side VCO T/Orca
R745		038-16100-10	RES 0603 100k 1% 1/10W	R3541		015-01560-06	Cap Cer 1210 5p6 NPO 500vgrm42	VCXO_BOT		319-01257-00	Shld Can Frt End TMA
R746		038-15100-10	RES 0603 10k 1% 1/10W	R3554		036-12390-00	RES 0805 39R 5% 1/8W	XF400		276-10000-19	Filtr Xtal 21.4m 13k B/W -E13a
R747		038-10000-00	RES 0603 OR	R4000		038-13560-10	RES 0603 560R 1% 1/10W	XF401		276-10000-10	Filtr Xtal 21.4m 15k B/W
R748		038-14470-10	Res 0603 4k7 1% 100ppm	R4001		038-15560-10	RES 0603 56k 1% 1/10W	XL500		539-10011-00	Vctcxo 13.0MHz +-1.5ppm -30+80
R749		038-14470-10	Res 0603 4k7 1% 100ppm	R4002		038-15330-10	RES 0603 33k 1% 1/10W	XL501		274-10022-00	Xtal 13.0133MHz Hc-49/Sm+30ppm
R750		038-14470-10	Res 0603 4k7 1% 100ppm	R4003		038-15220-10	RES 0603 22k 1% 1/10W				
R751		038-14470-10	Res 0603 4k7 1% 100ppm	R4004		038-13470-00	RES 0603 470R 5% 1/10W				
R753		038-14470-10	Res 0603 4k7 1% 100ppm	R4008		038-15330-10	RES 0603 33k 1% 1/10W				
R754		038-14470-10	Res 0603 4k7 1% 100ppm	R4010		038-15220-10	RES 0603 22k 1% 1/10W				
R755		038-14470-10	Res 0603 4k7 1% 100ppm	R4011		038-13470-00	RES 0603 470R 5% 1/10W				
R756		038-14470-10	Res 0603 4k7 1% 100ppm	R4012		038-15270-00	RES 0603 27k 5% 1/10W				
R757		038-15470-10	RES 0603 47k 1% 1/10W	R4013		038-15470-10	RES 0603 47k 1% 1/10W				
R758		038-15470-10	RES 0603 47k 1% 1/10W	R4014		038-13390-10	RES 0603 390R 1% 1/10W				
R759		038-15470-10	RES 0603 47k 1% 1/10W	R4015		038-13390-10	RES 0603 390R 1% 1/10W				
R760		038-15470-10	RES 0603 47k 1% 1/10W	R4016		038-16100-10	RES 0603 100k 1% 1/10W				
R761		038-12560-00	RES 0603 56R 5% 1/10W	R4017		038-16100-10	RES 0603 100k 1% 1/10W				
R762		038-12560-00	RES 0603 56R 5% 1/10W	R4018		038-14100-10	RES 0603 1k0 1% 1/10W				
R763		038-12560-00	RES 0603 56R 5% 1/10W	R4019		038-15470-10	RES 0603 47k 1% 1/10W				
R764		038-12560-00	RES 0603 56R 5% 1/10W	R4020		038-14100-10	RES 0603 1k0 1% 1/10W				
R765		038-15470-10	RES 0603 47k 1% 1/10W	R4021		038-16100-10	RES 0603 100k 1% 1/10W				
R766		038-15470-10	RES 0603 47k 1% 1/10W	R4022		038-15270-00	RES 0603 27k 5% 1/10W				
R767		038-15470-10	RES 0603 47k 1% 1/10W	R4023		038-14180-00	RES 0603 1k8 5% 1/10W				
R768		038-10000-00	RES 0603 OR	R4024		038-14100-10	RES 0603 1k0 1% 1/10W				
R769		036-15330-10	RES 0805 33k 1% 1/8W	R4025		038-12560-00	RES 0603 56R 5% 1/10W				
R770		036-15330-10	RES 0805 33k 1% 1/8W	R4026		038-14470-10	Res 0603 4k7 1% 100ppm				
R771		036-15330-10	RES 0805 33k 1% 1/8W	R4027		038-14150-00	RES 0603 1k5 5% 1/10W				
R772		036-15330-10	RES 0805 33k 1% 1/8W	R4028		038-14470-10	Res 0603 4k7 1% 100ppm				
R773		038-15330-10	RES 0603 33k 1% 1/10W	R4029		038-15330-10	RES 0603 33k 1% 1/10W				
R774		038-15330-10	RES 0603 33k 1% 1/10W	R4030		038-14560-00	RES 0603 5k6 5% 1/10W				
R776		038-15100-10	RES 0603 10k 1% 1/10W	R4031		038-14470-10	Res 0603 4k7 1% 100ppm				
R777		038-13820-00	RES 0603 820R 5% 1/10W	R4032		038-13220-10	RES 0603 220R 1% 1/10W				
R788		038-13270-10	RES 0603 270R 1% 1/10W	R4033		038-13220-10	RES 0603 220R 1% 1/10W				
R789		038-14100-10	RES 0603 1k0 1% 1/10W	R4034		038-14560-00	RES 0603 5k6 5% 1/10W				
R790		038-13220-10	RES 0603 220R 1% 1/10W	R4035		038-14100-10	RES 0603 1k0 1% 1/10W				
R792		038-13220-10	RES 0603 220R 1% 1/10W	R4036		038-10000-00	RES 0603 OR				
R3015		036-01240-03	RES Pwr 1218 2R4 5% 1W	R4037		038-14470-10	Res 0603 4k7 1% 100ppm				
R3016		036-01240-03	RES Pwr 1218 2R4 5% 1W	R4038		038-15120-10	RES 0603 12k 1% 1/10W				
R3020		036-02470-03	RES Pwr 1218 47R 5% 1W	R4039		038-15560-10	RES 0603 56k 1% 1/10W				
R3024		036-02470-03	RES Pwr 1218 47R 5% 1W	R4040		038-16100-10	RES 0603 100k 1% 1/10W				
R3028		038-13100-10	RES 0603 100R 1% 1/10W	R4501		038-10000-00	RES 0603 OR				
R3029		038-13100-10	RES 0603 100R 1% 1/10W	R5000		038-14560-00	RES 0603 5k6 5% 1/10W				
R3034		038-13100-10	RES 0603 100R 1% 1/10W	R5001		038-14270-00	RES 0603 2k7 5% 1/10W				

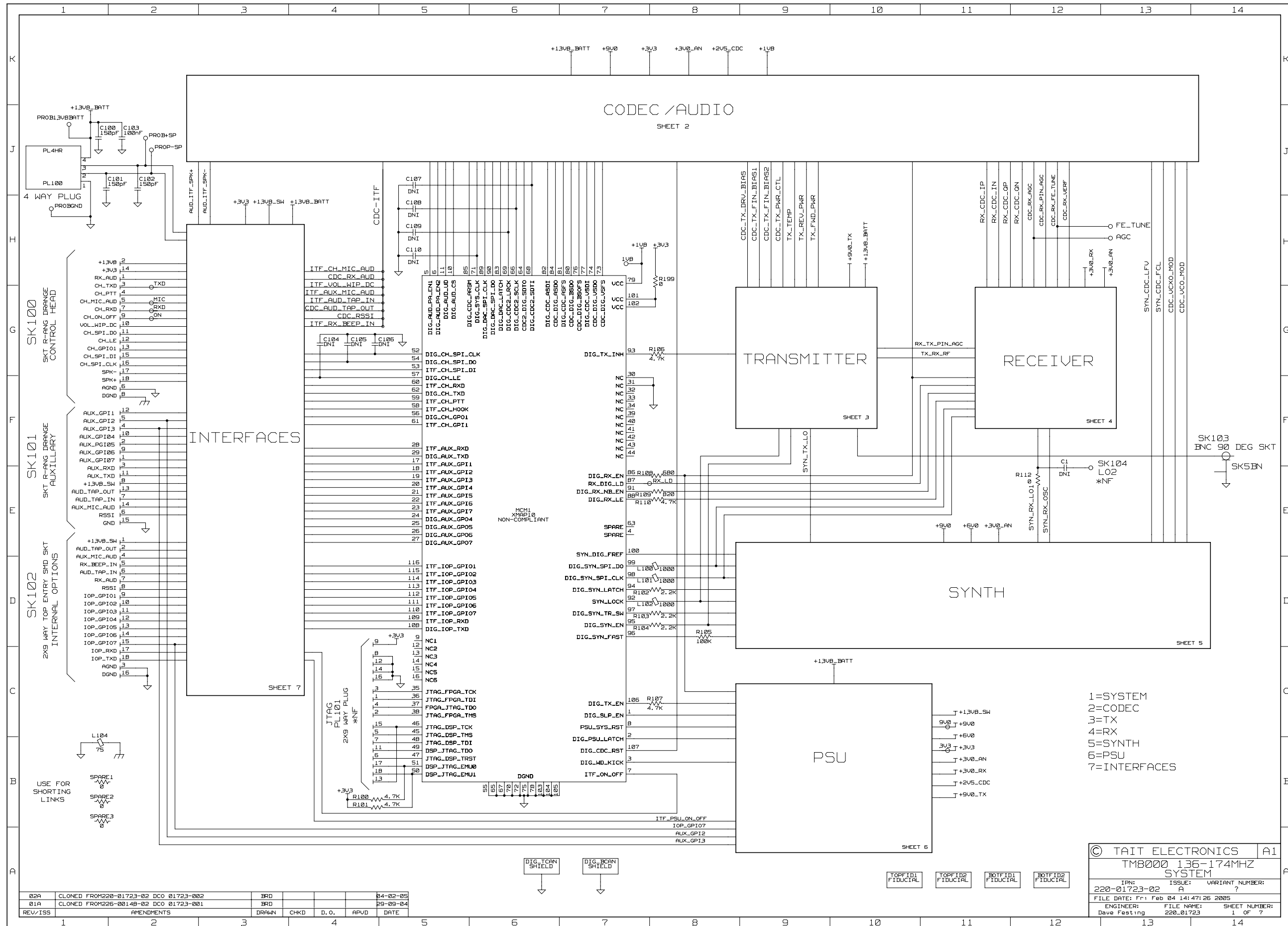




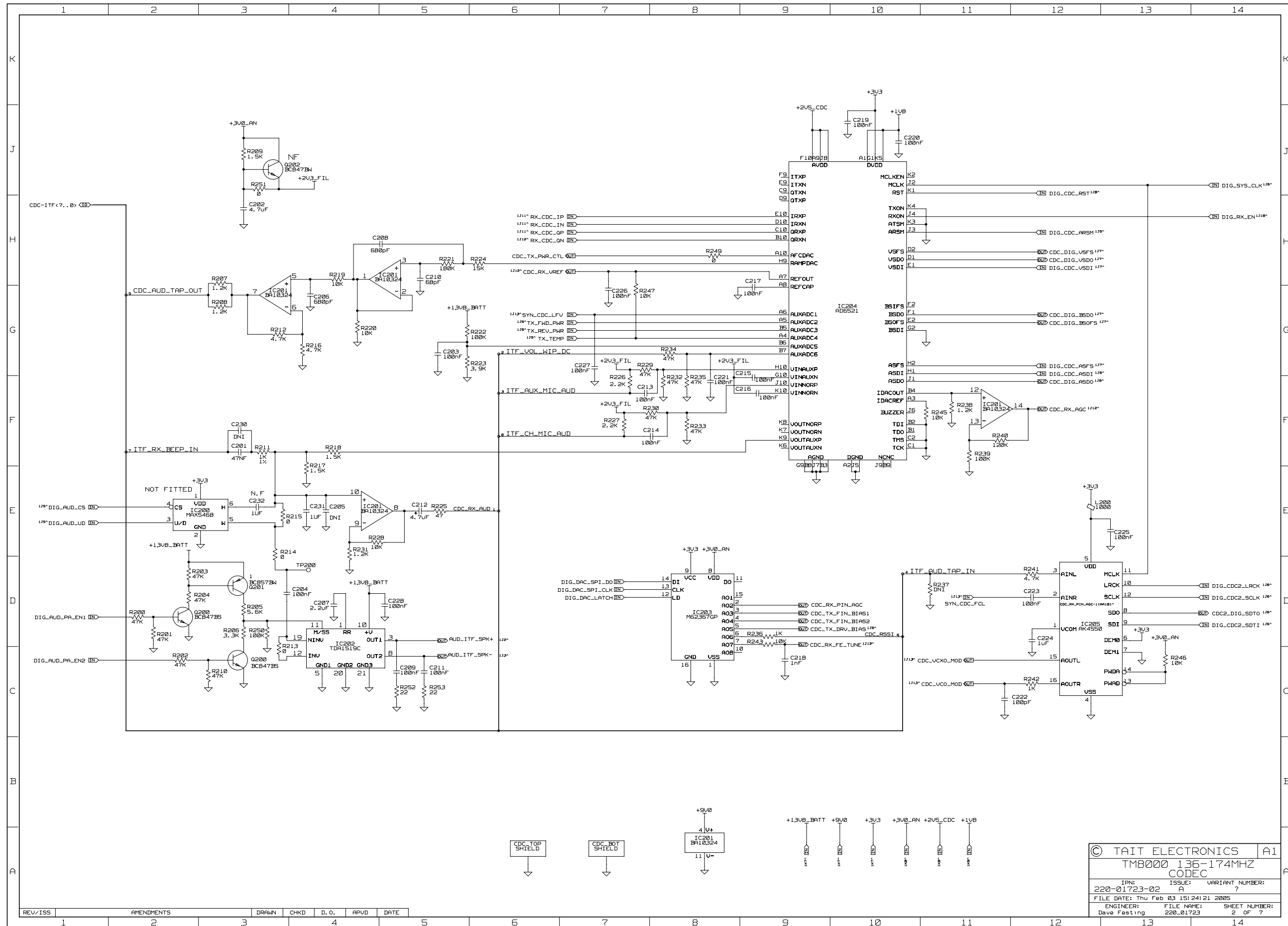




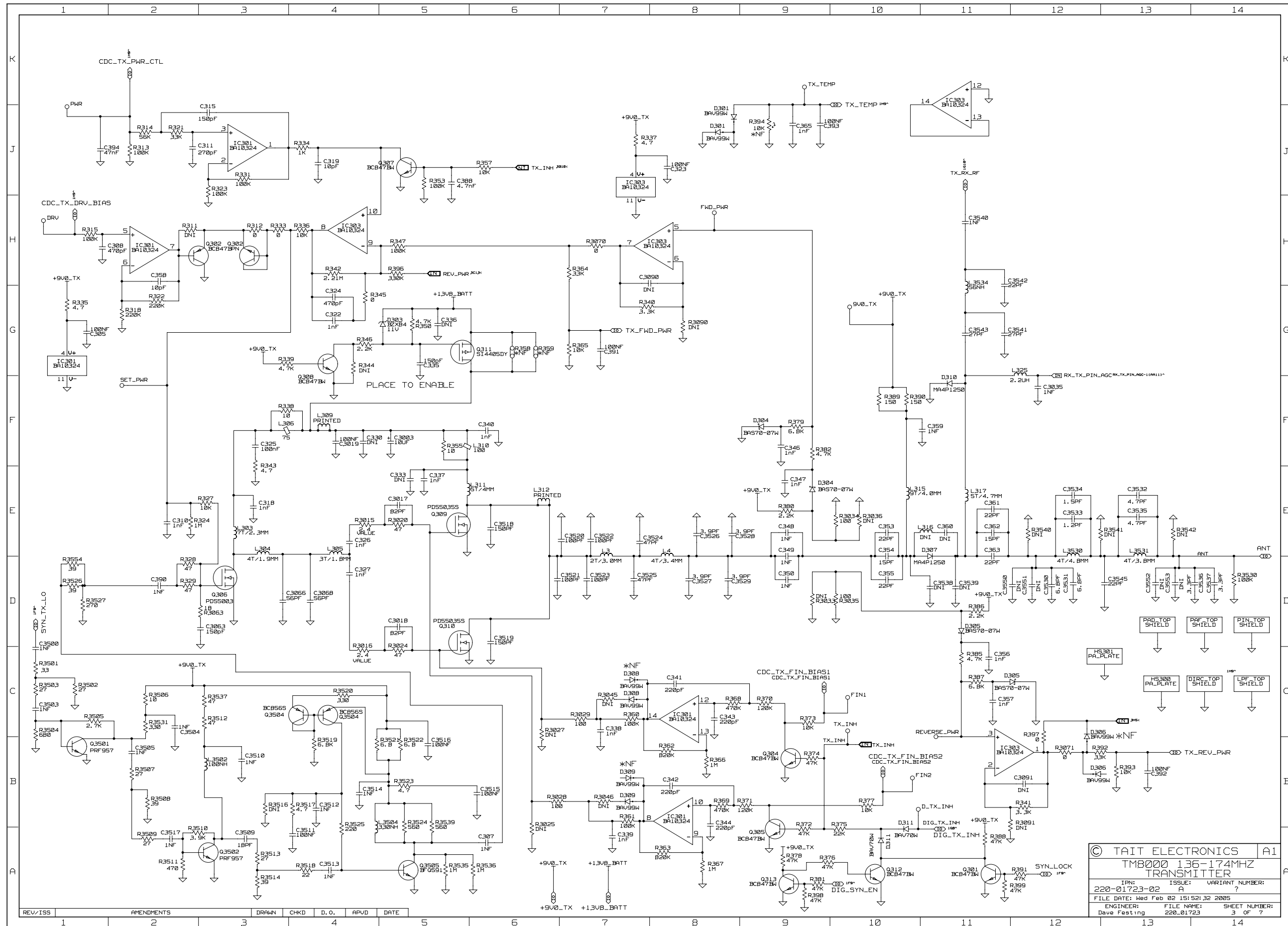


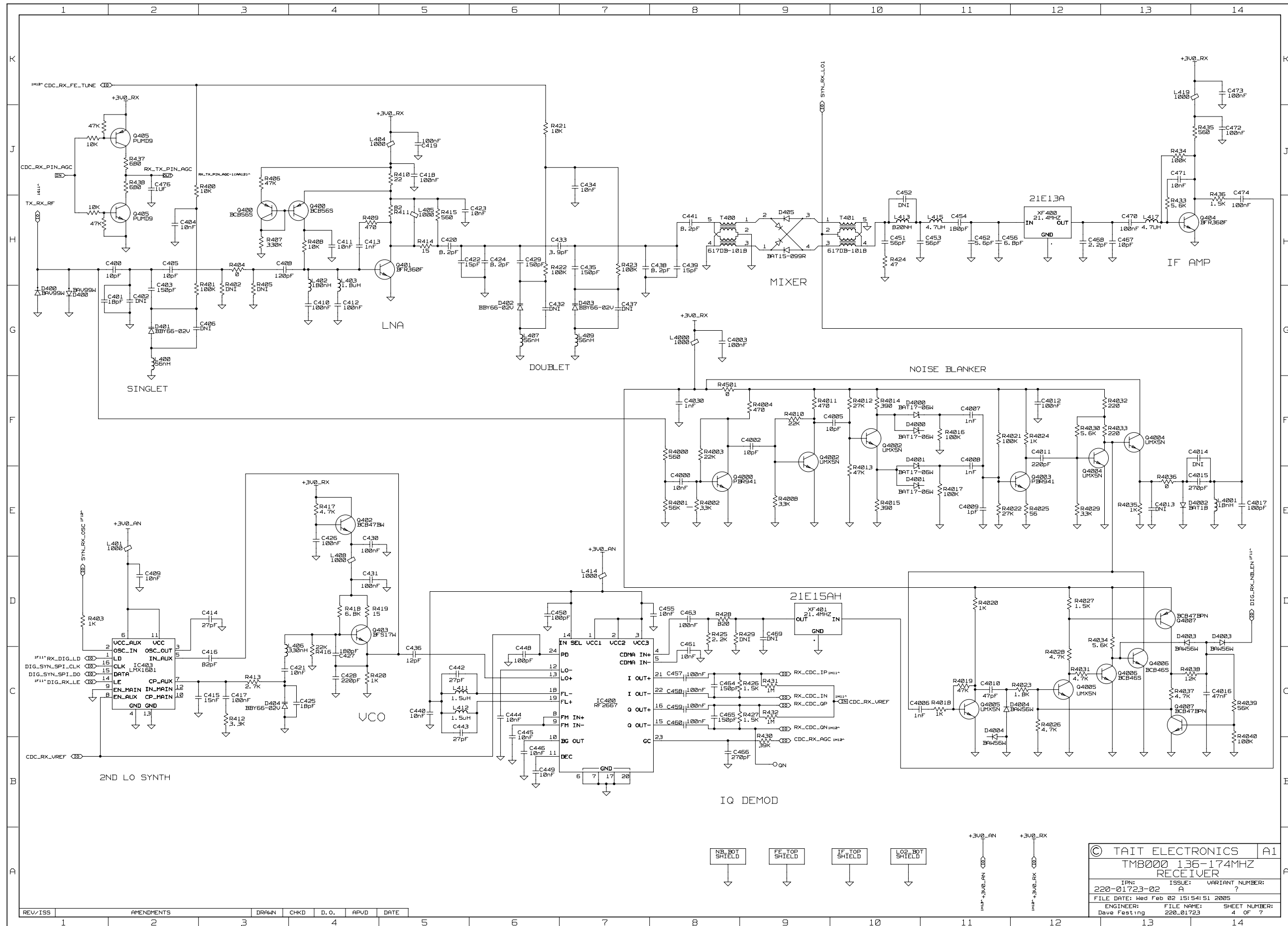


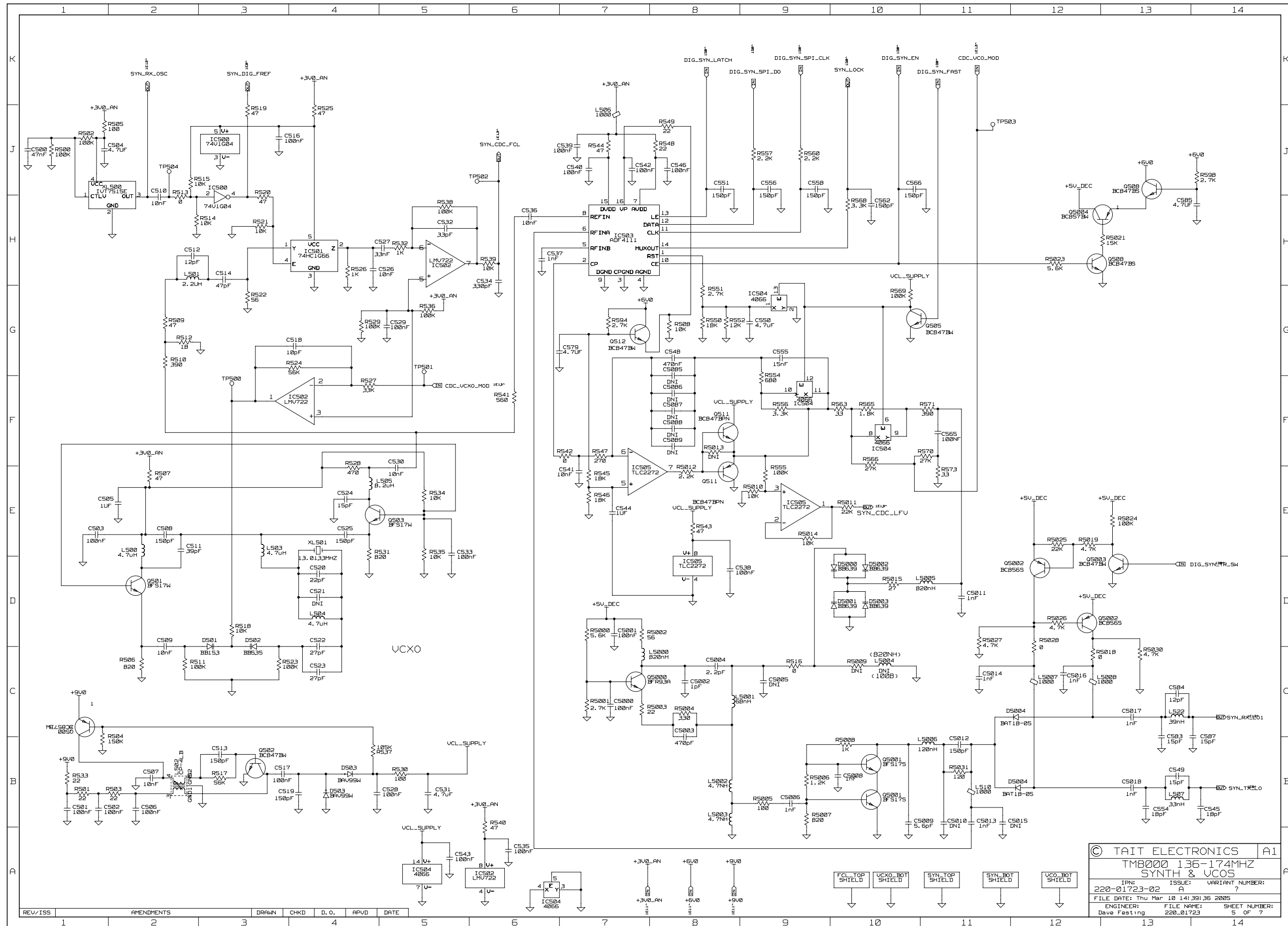
© TAIT ELECTRONICS		A1
TM8000 136-174MHZ SYSTEM		
IPN: 220-01723-02	ISSUE: A	VARIANT NUMBER: ?
FILE DATE: Fri Feb 04 14:47:26 2005	ENGINEER: Dave Festing	FILE NAME: 220_01723
		SHEET NUMBER: 1 OF 7



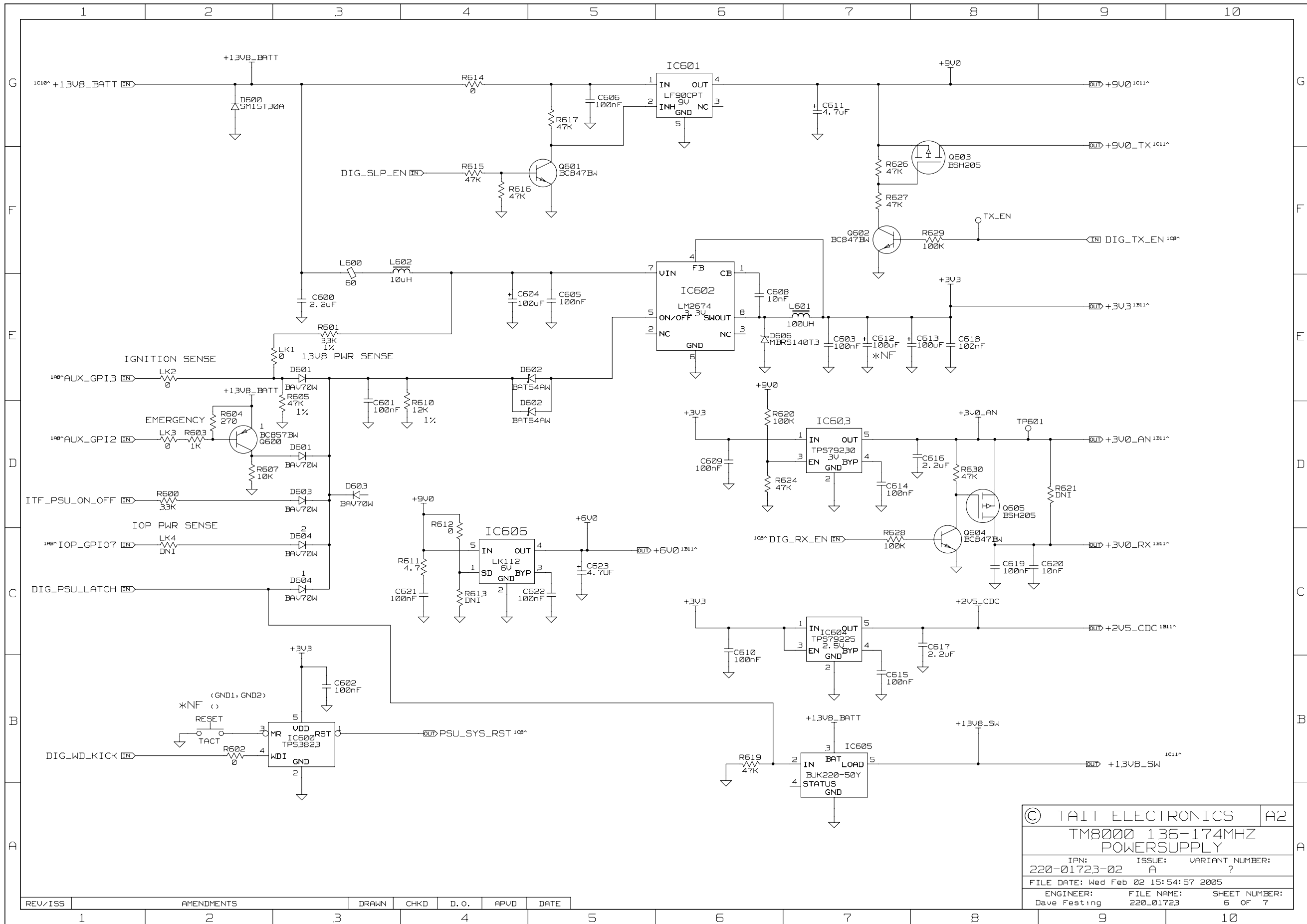
© TAIT ELECTRONICS		A1
TM8000 136-174MHZ CODEC		
IPN:	ISSUE:	VARIANT NUMBER:
220-01723-02	A	?
FILE DATE: Thu Feb 03 15:24:21 2005	ENGINEER:	FILE NAME:
	Dave Festing	220_01723
		SHEET NUMBER:
		2 OF 7







© TAIT ELECTRONICS		A1
TM8000 136-174MHZ SYNTH & VCO		
IPN: 220-01723-02	ISSUE: A	VARIANT NUMBER: ?
FILE DATE: Thu Mar 10 14:39:36 2005	ENGINEER: Dave Festing	FILE NAME: 220_01723
		SHEET NUMBER: 5 OF 7



© TAIT ELECTRONICS		A2
TM8000 136-174MHZ POWER SUPPLY		
IPN: 220-01723-02	ISSUE: A	VARIANT NUMBER: ?
FILE DATE: Wed Feb 02 15:54:57 2005		
ENGINEER: Dave Festing	FILE NAME: 220_01723	SHEET NUMBER: 6 OF 7

REV/ISS	AMENDMENTS	DRAWN	CHKD	D. O.	APVD	DATE
1						

